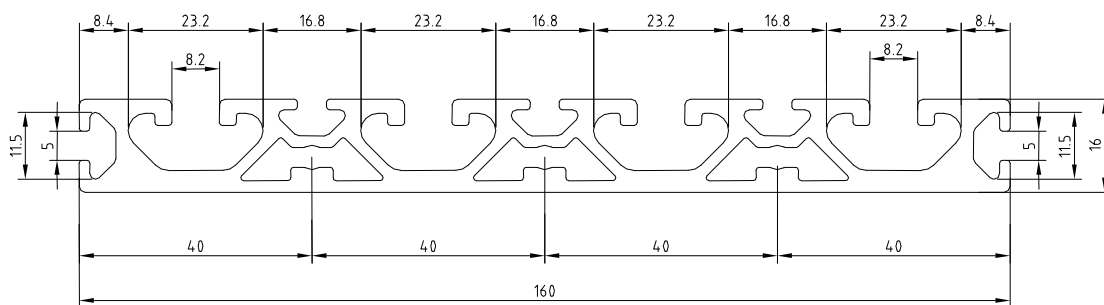
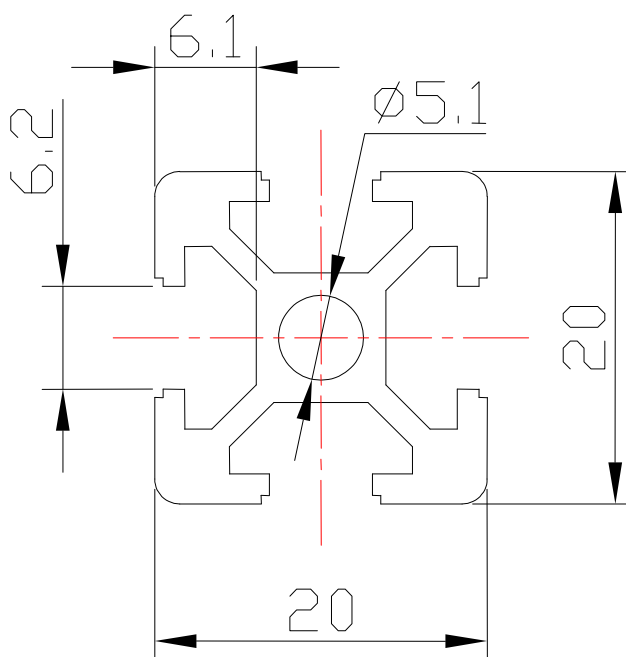


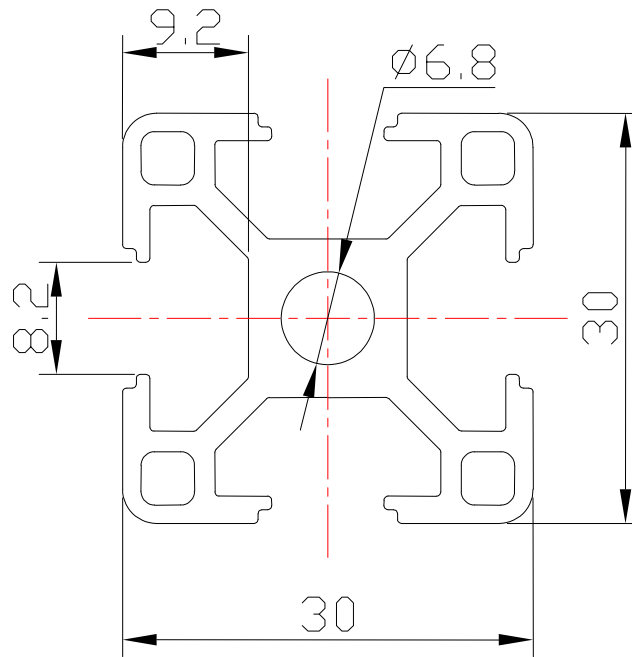
Aluminium profiel / Aluminium profile / Aluminium Profile / L'aluminium profil



16x160 mm

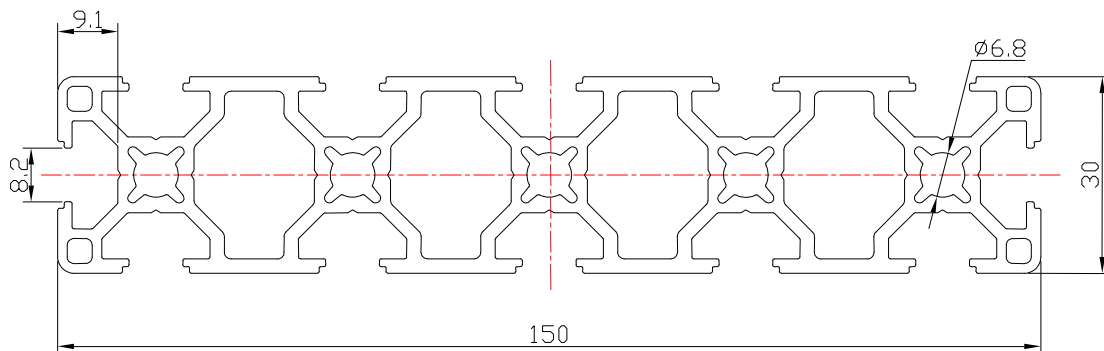


20x20 mm

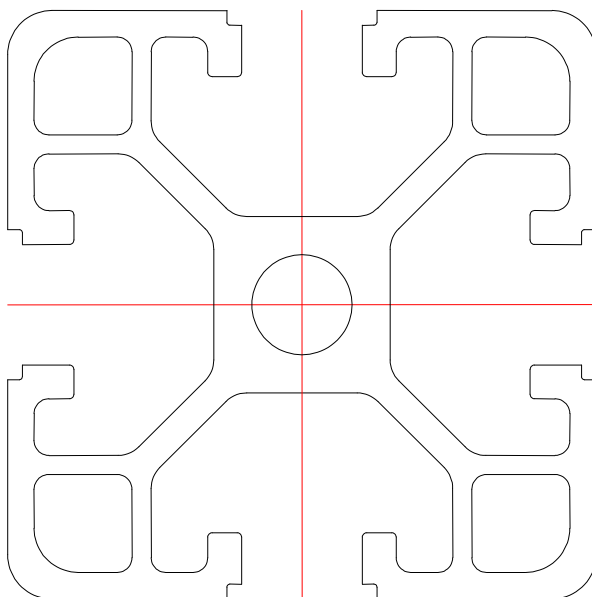


ALU1-30x30

$$\begin{aligned} I_x &= 2.85 \text{ cm}^4 & I_y &= 2.85 \text{ cm}^4 \\ Z_x &= 1.8 \text{ cm}^3 & Z_y &= 1.8 \text{ cm}^3 \\ m &= 0.95 \text{ kg/m} \end{aligned}$$

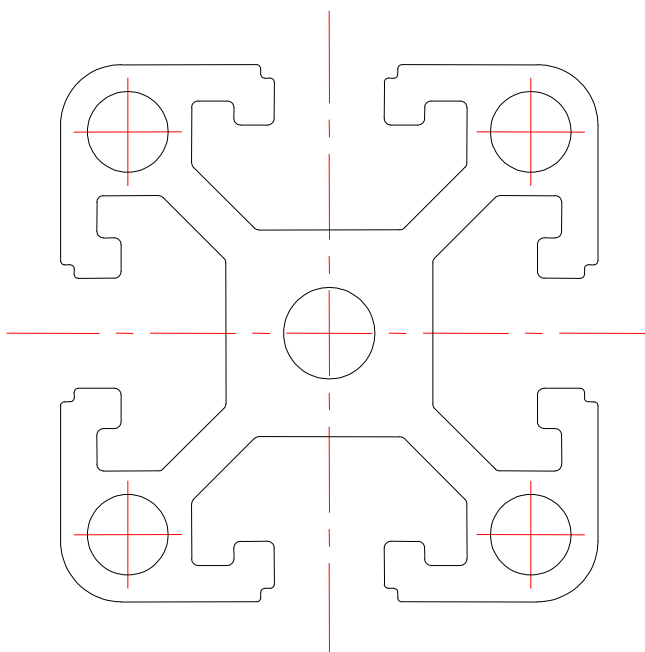


ALU1-30x150



ALU1-40x40L

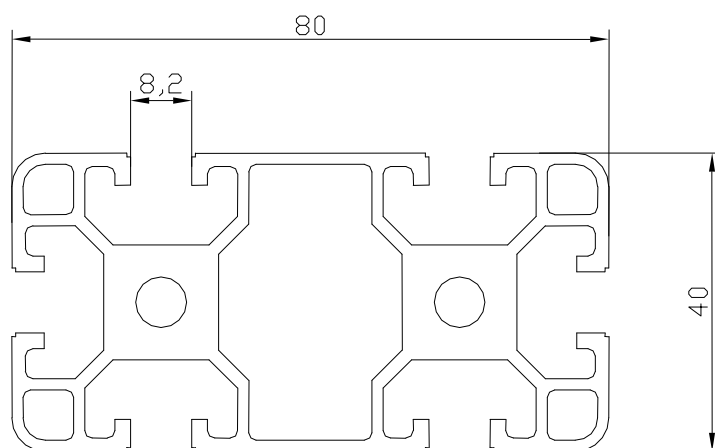
$$I_x = 9.25 \text{ cm}^4 \quad I_y = 9.25 \text{ cm}^4 \quad Z_x = 4.86 \text{ cm}^3 \quad Z_y = 4.86 \text{ cm}^3 \\ m = 1.42 \text{ kg/m}$$



ALU1-40x40N

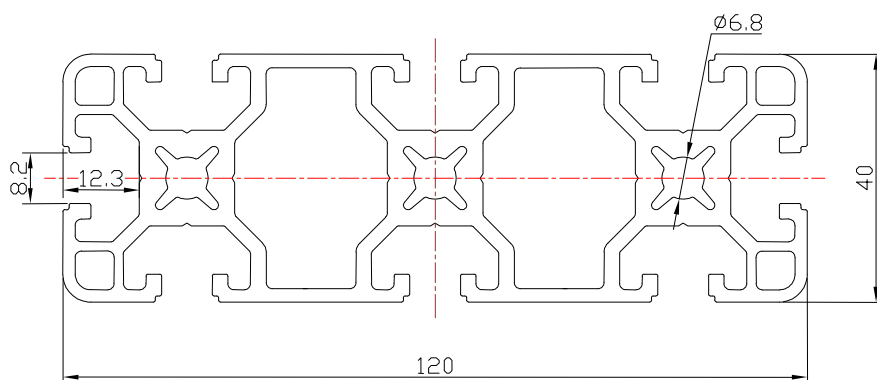
$$I_x = 10.2 \text{ cm}^4 \quad I_y = 10.2 \text{ cm}^4 \quad Z_x = 5.32 \text{ cm}^3 \quad Z_y = 5.32 \text{ cm}^3 \\ m = 1.9 \text{ kg/m}$$

Aluminium profiel / Aluminium profile / Aluminium Profile / L'aluminium profil

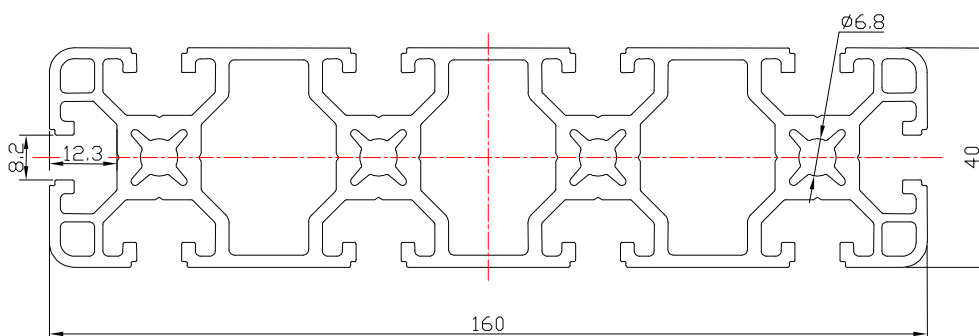


ALU1-40x80

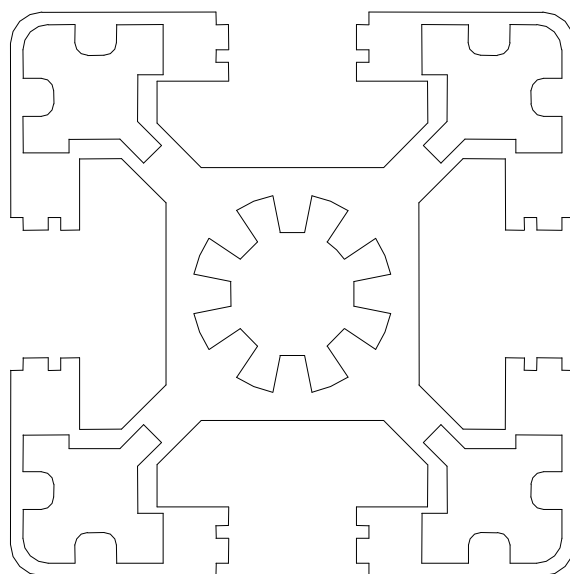
$$I_x = 74.8 \text{ cm}^4 \quad I_y = 21.6 \text{ cm}^4 \quad Z_x = 17.4 \text{ cm}^3 \quad Z_y = 8.7 \text{ cm}^3$$
$$M = 3.2 \text{ kg/m}$$



ALU1-40x120



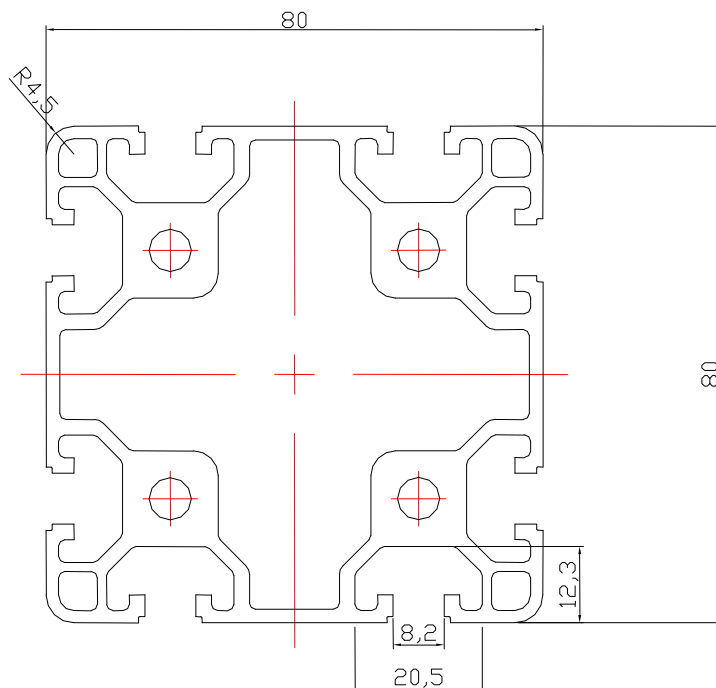
ALU1-40x160



ALU1-45x45N

$I_x = 15.82 \text{ cm}^4$ $I_y = 15.82 \text{ cm}^4$ $Z_x = 6.95 \text{ cm}^3$ $Z_y = 6.95 \text{ cm}^3$
 $m = 2.4 \text{ kg/m}$

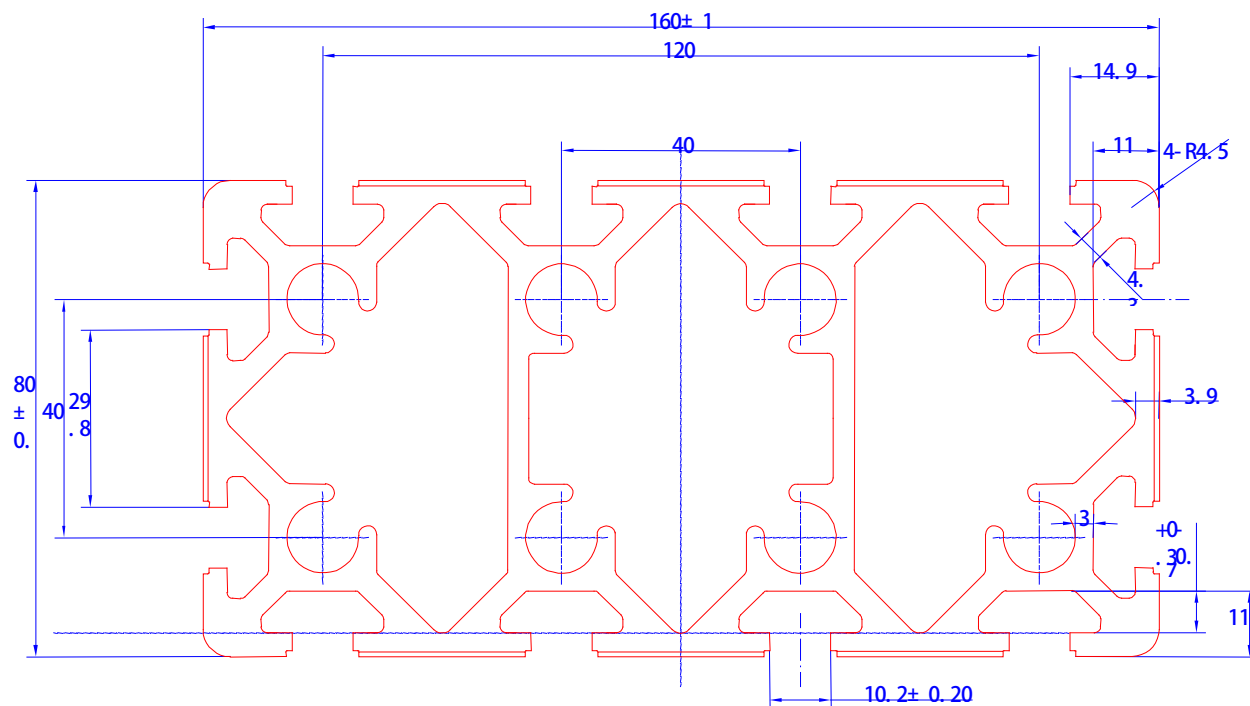
Aluminium profiel / Aluminium profile / Aluminium Profile / L'aluminium profil



ALU1-80x80

$$I_x = 130.1 \text{ cm}^4 \quad I_y = 130.1 \text{ cm}^4 \quad Z_x = 32.1 \text{ cm}^3 \quad Z_y = 32.1 \text{ cm}^3$$

$$M = 5.2 \text{ kg/m}$$



ALU1-80x160