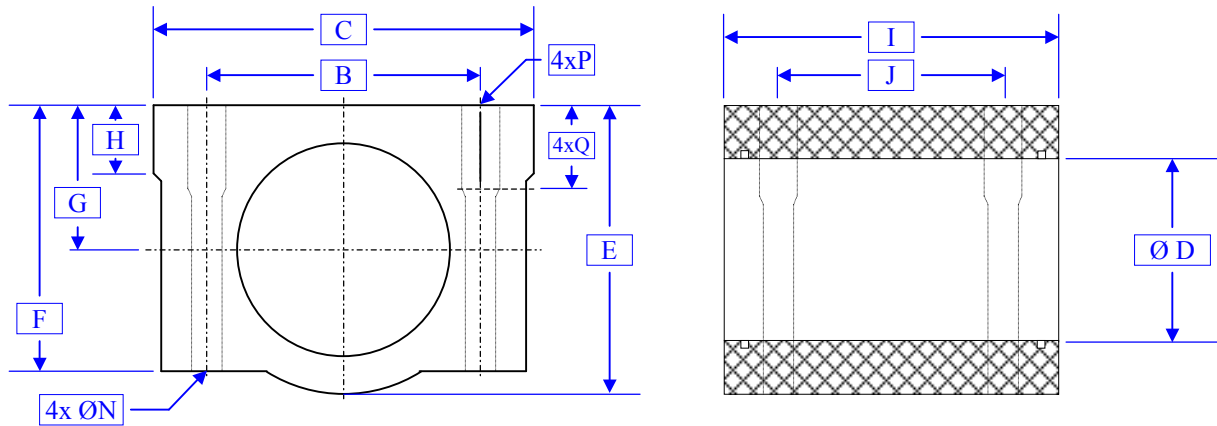
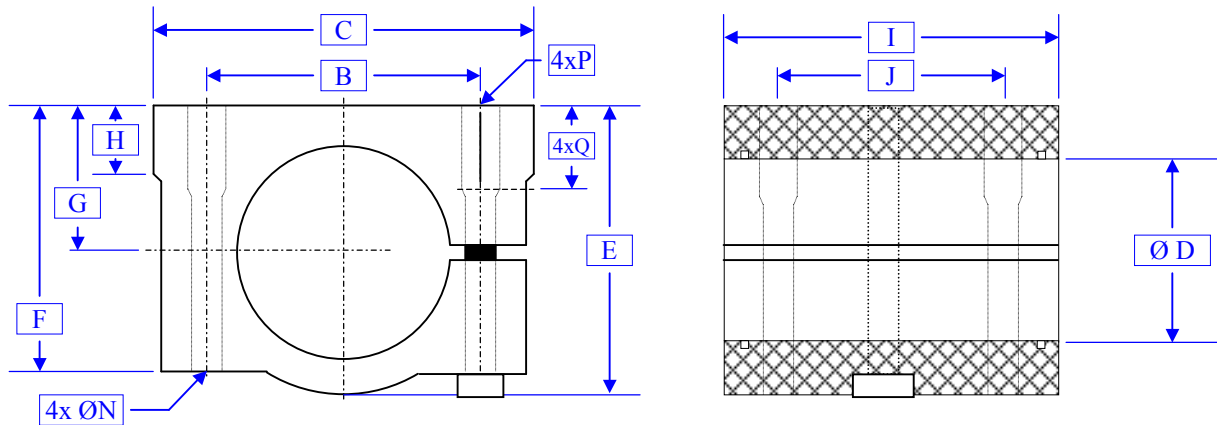


Alu Behuizingen / Alu Housing / Alu Gehäuse Type H1



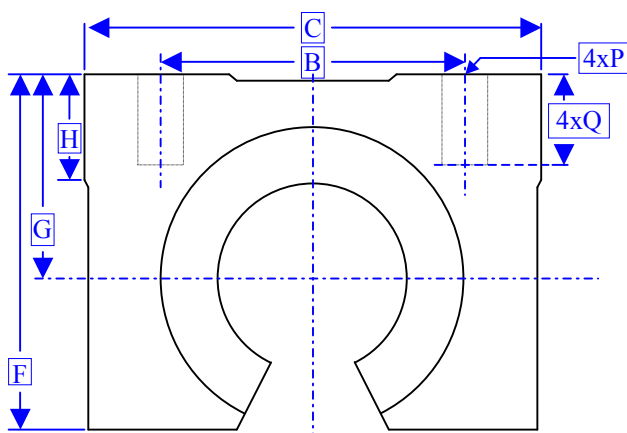
TYPE	E	C	I	G	F	B	J	N	P	Q	H	D
H1-19	28	42	36	15	24	30.5	26	4	M5	12	8	19
H1-21	29	44	39	15	24	33	26	4	M5	12	8	21
H1-28	38.5	50	44	19	33	36	34	4	M5	12	9	28
H1-32	42	54	50	21	35	40	40	5	M6	12	12	32
H1-40	51.5	76	67	26	41	54	50	6	M8	18	13	40
H1-45	59.5	78	72	30	49	58	58	6	M8	18	15	45
H1-52	68	90	80	34	54	70	60	6	M8	18	18	52
H1-60	78	102	90	40	62	80	60	8	M10	25	20	60
H1-80	102	122	110	52	80	100	80	8	M10	25	24	80

**Gespleten Alu Behuizingen / Split Alu Housing / Gespaltens Alu Gehäuse
Type H2**



TYPE	E	C	I	G	F	B	J	N	P	Q	H	D
H2-19	28	42	36	15	24	30.5	26	4	M5	12	8	19
H2-21	29	44	39	15	24	33	26	4	M5	12	8	21
H2-28	38.5	50	44	19	33	36	34	4	M5	12	9	28
H2-32	42	54	50	21	35	40	40	5	M6	12	12	32
H2-40	51.5	76	67	26	41	54	50	6	M8	18	13	40
H2-45	59.5	78	72	30	49	58	58	6	M8	18	15	45
H2-52	68	90	80	34	54	70	60	6	M8	18	18	52
H2-60	78	102	90	40	62	80	60	8	M10	25	20	60
H2-80	102	122	110	52	80	100	80	8	M10	25	24	80

**Open Alu Behuizingen / Open Alu Housing / Offene Alu Gehäuse
Type HO1**



TYPE	E	C	I	G	F	B	J	N	P	Q	H	D
HO1-21	29	42	36	15	24	30.5	26	4	M5	12	8	21
HO1-28	38.5	50	44	19	33	36	34	4	M5	12	9	28
HO1-32	42	54	50	21	35	40	40	5	M6	12	12	32
HO1-40	51.5	76	67	26	41	54	50	6	M8	18	13	40
HO1-45	59.5	78	72	30	49	58	58	6	M8	18	15	45